

- Stainless steel housing 1.4404, IP 68
- Plastic housing PP or PVDF
- Ranges from 40 mbar to 60 bar
- Accuracy $\leq 0,2\%$
- Ex II 1G Ex ia IIC T4 Ga
- Cable according Bg VV-1.12.96-Specification
Optional integrated Pt 100 / Pt 1000
- Sensor for temperature measurement



Level Transmitter P 133

Technical data:

Ranges:	0...40 mbar to 0...60 bar
Output signal:	4...20 mA, 2-wire
Accuracy:	$\leq \pm 0,2\%$ FS @ 25°C
Response time:	200 ms (other available on request)
Supply voltage:	9...30V DC: 4...20 mA output (12...30V Ex-version) 15...30V DC: 0...10 V output
Ambient temperature:	-25...80 °C (-20...70 °C at Ex ia IIC T4 Ga)
Temperature coeff.:	$\leq \pm 0,02\%$ FS/K
Long term stability:	$\leq \pm 0,2\%$ FS p. a.
Housing:	stainless steel, 1.4404, IP 68
Weight of sensor:	approx. 0,5 kg
Weight of cable:	0,5 kg / 10m
Electrical connection:	PE cable with pressure compensation capillary and filter

Nöding

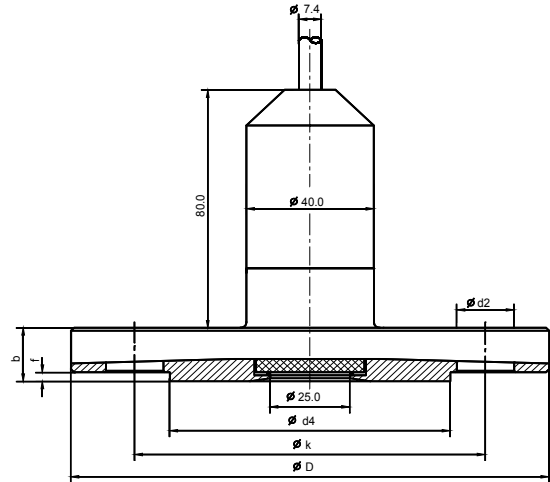
Meßtechnik

Ranges

Dimensions (mm)

range in bar		range in mH ₂ O		overload (bar)
0...40 mbar*	A8	0...400 mmH ₂ O*	W8	-0,3/4
0...50 mbar*	B0	0...500 mmH ₂ O*	W0	-0,3/4
0...60 mbar*	A9	0...600 mmH ₂ O*	W9	-0,3/4
0...100 mbar	00	0...1 mH ₂ O	50	-0,3/4
0...160 mbar	01	0...1,6 mH ₂ O	51	-0,5/6
0...200 mbar	B1	0...2 mH ₂ O	W1	-0,5/6
0...250 mbar	02	0...2,5 mH ₂ O	52	-0,5/6
0...300 mbar	X5	0...3 mH ₂ O	66	-1/6
0...400 mbar	03	0...4 mH ₂ O	53	-1/6
0...500 mbar	B7	0...5 mH ₂ O	W2	-1/6
0...600 mbar	04	0...6 mH ₂ O	54	-1/10
0...1,0 bar	05	0...10 mH ₂ O	55	-1/10
0...1,6 bar	06	0...16 mH ₂ O	56	-1/18
0...2,0 bar	B3	0...20 mH ₂ O	W3	-1/18
0...2,5 bar	07	0...25 mH ₂ O	57	-1/18
0...4,0 bar	08	0...40 mH ₂ O	58	-1/25
0...6,0 bar	09	0...60 mH ₂ O	59	-1/40
0...10 bar	10	0...100 mH ₂ O	60	-1/40
0...16 bar	11	0...160 mH ₂ O	61	-1/40
0...20 bar	B5	0...200 mH ₂ O	W5	-1/40
0...25 bar	12	0...250 mH ₂ O	62	-1/40
0...40 bar	13	0...400 mH ₂ O	63	-1/60
0...60 bar	14	0...600 mH ₂ O	64	-1/100

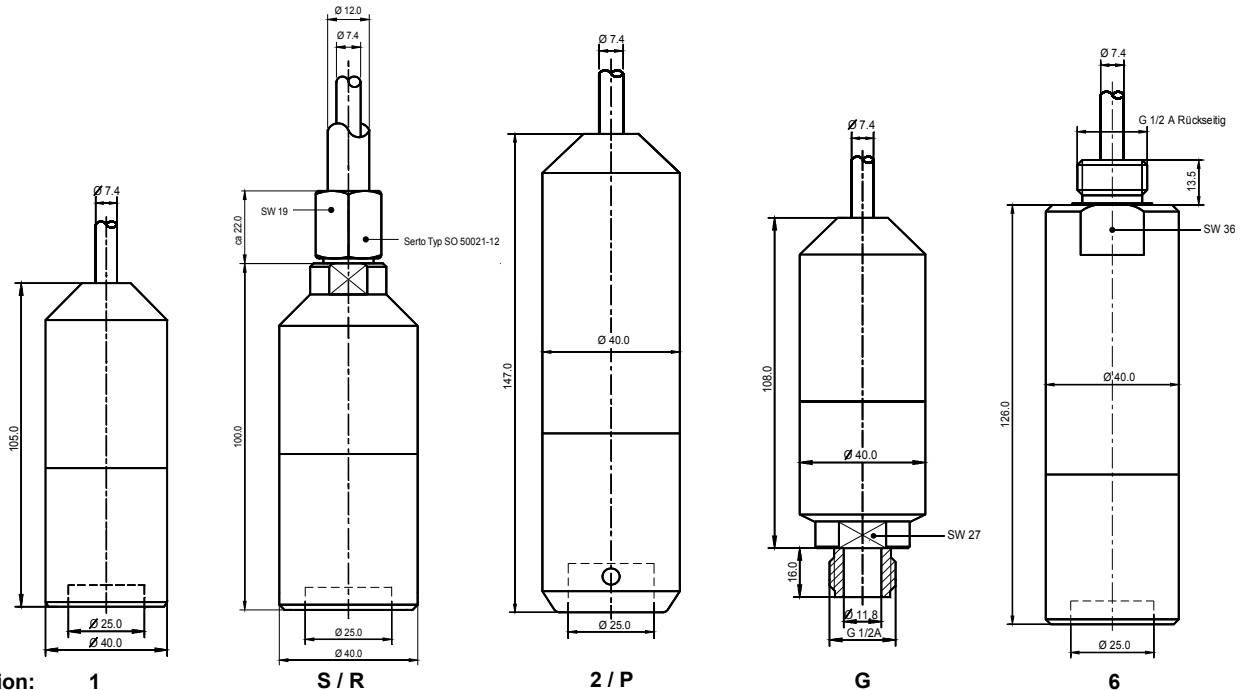
* accuracy 0,5%



DN	PN	D	b	d2	k	f	d4	Bohrungen/Hole
25	10 - 40	115	18	14	85	2	68	4
40	10 - 40	150	18	18	110	3	88	4
50	10 - 40	165	20	18	125	3	102	4
80	10 - 40	200	24	18	160	3	138	8

Anschluß / Connection DIN 2527 (mm)

Dimensions (mm)



Version:

1

S / R

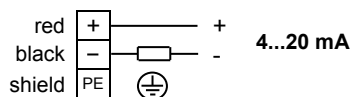
2 / P

G

6

Electrical connections

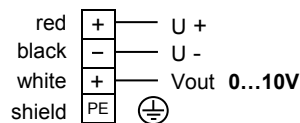
4...20 mA, 2-wire



U = 9...30V DC

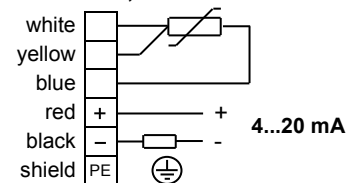
Ex-Version: 12...30V DC

0...10V, 3-wire



U = 15...30V DC

4...20 mA, 2-wire and Pt 100 - Pt 1000 sensor, 3-wire



U = 9...30V DC

Modifications reserved without notice, 12.14

