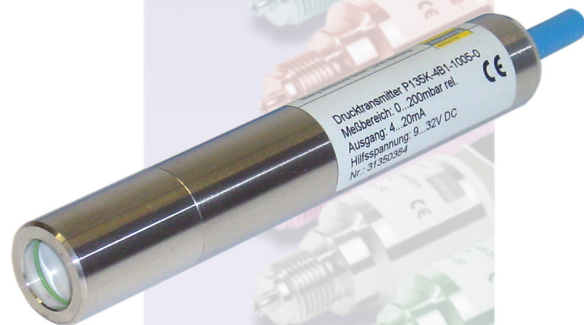


- 22 mm Ø ideal for 1" pipes
- Ranges from 100 mbar to 20 bar
- Accuracy  $\leq 0,3\%$
- $\text{Ex}$  II 1G EEx ia IIC T4
- Cable according Bg VV-1.12.96-specifications, suitable for food and drinking water
- Optional integrated Pt 100 / Pt 1000 sensor for temperature measurement



## Level Transmitter P 135K

### Technical data:

|                        |  |
|------------------------|--|
| Range:                 | 0...100 mbar to 0...20 bar                               |
| Output signal:         | 4...20 mA, 2-wire  |
| Accuracy:              | $\leq \pm 0,3\%$ FS @ 25°C                               |
| Response time:         | 200 ms<br>(other available on request)                   |
| Supply voltage:        | 9...30V DC<br>(12...30V Ex-version)                      |
| Ambient temperature:   | -25...80 °C<br>(-20...70 °C at EEx ia IIC T4)            |
| Temperature coeff.:    | $\leq \pm 0,02\%$ FS/K                                   |
| Long term stability:   | $\leq \pm 0,3\%$ FS p. a.                                |
| Housing:               | stainless steel, 1.4404, IP 68                           |
| Weight of probe:       | approx. 0,3 kg   |
| Weight of cable:       | 0,5 kg / 10m   |
| Electrical connection: | PE cable with pressure compensation capillary and filter |

**Nöding**

Meßtechnik

## Ranges

| range (bar)  |    | range (mH <sub>2</sub> O) |    | Overload (bar) |
|--------------|----|---------------------------|----|----------------|
| 0...100 mbar | 00 | 0...1 mH <sub>2</sub> O   | 50 | -0,3/4         |
| 0...160 mbar | 01 | 0...1,6 mH <sub>2</sub> O | 51 | -0,3/4         |
| 0...200 mbar | B1 | 0...2 mH <sub>2</sub> O   | W1 | -0,3/4         |
| 0...250 mbar | 02 | 0...2,5 mH <sub>2</sub> O | 52 | -0,3/4         |
| 0...300 mbar | X5 | 0...3 mH <sub>2</sub> O   |    | -1/6           |
| 0...350 mbar | X1 | 0...3,5 mH <sub>2</sub> O |    | -1/6           |
| 0...400 mbar | 03 | 0...4 mH <sub>2</sub> O   | 53 | -1/6           |
| 0...500 mbar | B7 | 0...5 mH <sub>2</sub> O   | W2 | -1/6           |
| 0...600 mbar | 04 | 0...6 mH <sub>2</sub> O   | 54 | -1/10          |
| 0...1,0 bar  | 05 | 0...10 mH <sub>2</sub> O  | 55 | -1/10          |
| 0...1,6 bar  | 06 | 0...16 mH <sub>2</sub> O  | 56 | -1/15          |
| 0...2,0 bar  | B3 | 0...20 mH <sub>2</sub> O  | W3 | -1/15          |
| 0...2,5 bar  | 07 | 0...25 mH <sub>2</sub> O  | 57 | -1/15          |
| 0...4,0 bar  | 08 | 0...40 mH <sub>2</sub> O  | 58 | -1/25          |
| 0...5,0 bar  | F1 | 0...50 mH <sub>2</sub> O  |    | -1/40          |
| 0...6,0 bar  | 09 | 0...60 mH <sub>2</sub> O  | 59 | -1/40          |
| 0...10 bar   | 10 | 0...100 mH <sub>2</sub> O | 60 | -1/40          |
| 0...16 bar   | 11 | 0...160 mH <sub>2</sub> O | 61 | -1/40          |
| 0...20 bar   | B5 | 0...200 mH <sub>2</sub> O | W5 | -1/40          |

## Ordering code

### Output signal

- 4 4...20 mA 2-wire
- E 4...20 mA 2-wire  $\text{Ex}$  II 1G EEx ia IIC T4
- T 4...20 mA 2-wire, and Pt 100 3-wire
- F 4...20 mA 2-wire, and Pt 1000 3-wire

### Range

See table on the left  
99 no standard range (on request)

### Material housing / sensor seal

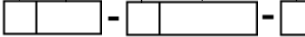
- 1 1.4404 / FPM (Viton)
- 3 1.4404 / EPDM
- S 1.4404 / FPM (Viton) Serto-Screw

### Cable cutable

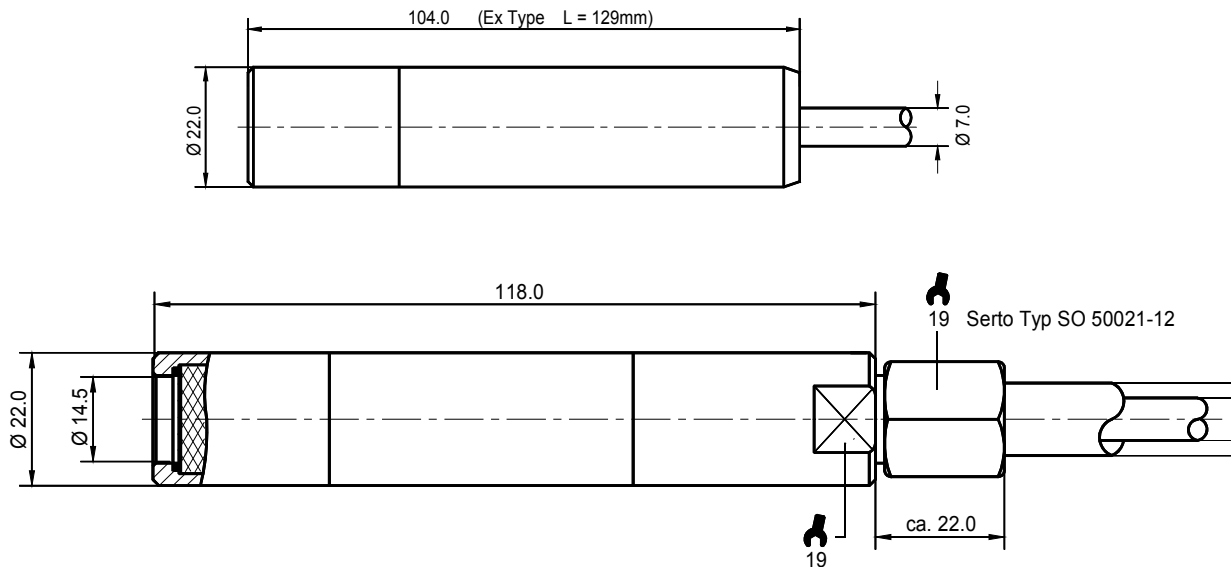
- 002 2m cable
  - 005 5m cable (from 5m only in 5m intervals)
  - 010 10m cable
  - 050 50m cable (from 50m only in 10m intervals)
  - 100 100m cable
- Special lengths quote in meters

### Cable material

- 0 PE cable
- 1 FDR 25 cable (Diesel oil resistant)
- 2 PUR cable
- 4 HDPE cable

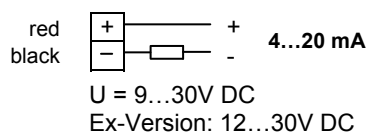
P135K - 

## Dimensions (mm)



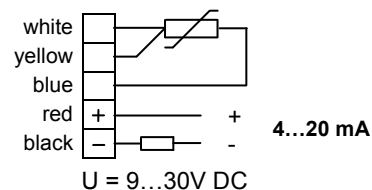
## Electrical connections

### 4...20 mA 2-wire



For cable lengths > 30m shielded cable is used

### 4...20 mA, 2-wire and Pt 100 / Pt 1000 sensor, 3-wire



Modifications reserved without notice, 02.11