

- Dry ceramic sensor
- Housing for DIN rail mounting
- Process connection 4 mm hose
- Range from 20 mbar to 4 bar
- Accuracy $\leq 0,2\%$
- High overload capability
- Adjustable range (turndown) 3:1



Pressure Transmitter P 940

Technical data:

Range:	0...20 mbar to 0...4 bar
Output signal:	4...20 mA, 2-wire
Accuracy:	$\leq \pm 0,2\%$ FS @ 25°C
Response time:	0,2 – 10 s, adjustable
Supply voltage:	11...32V DC, max. 30 mA
Ambient temperature:	-25...80 °C
Temperature coeff.:	$\leq \pm 0,015\%$ FS/K (zero) $\leq \pm 0,01\%$ FS/K (span)
Process connection:	4 mm hose, stainless steel 1.4301
Sensor:	ceramic AL ₂ O ₃

Nöding

Meßtechnik

Ranges

Ordering code

range	gauge	absolut	overload (bar)
0...20 mbar*	A6		- 0,3 / 4
0...25 mbar*	A7		- 0,3 / 4
0...40 mbar*	A8		- 0,3 / 4
0...60 mbar*	A9		- 0,3 / 4
0...100 mbar	00		- 0,3 / 4
0...200 mbar	B1	B2	- 1 / 6
0...0,4 bar	03	28	- 1 / 6
0...1 bar	05	30	- 1 / 10
0...2 bar	B3	B4	- 1 / 18
0...4 bar	08	33	- 1 / 25
0,8...1,2 bar		B9	- 1 / 10

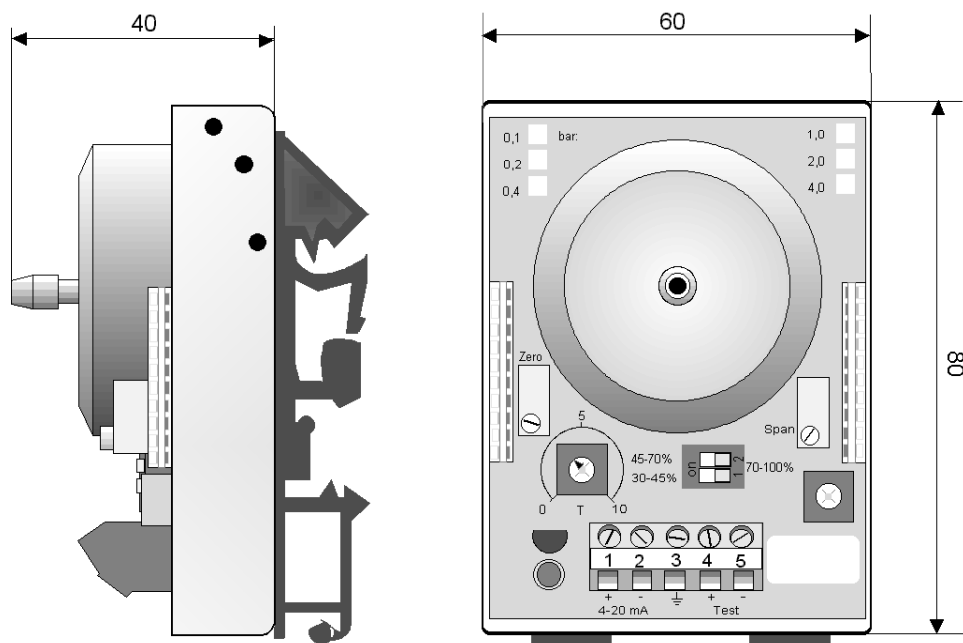
* Global error 0,5% F.S.

Range

See table on the left
99 non standard range (on request)

P 940 -

Dimensions (mm)



Electrical connections

4...20 mA, 2-wire

1	+ 24 V] Supply voltage 11...32V DC
2	-	
3	PE] 4...20 mA
4	+ Test	
5	- Test	

Modifications reserved without notice, 02.10