

- Digital contact thermometer
- 3-digit 14mm LED display
- 63mm stainless steel case
- Min./max. memory
- Ranges from 0...50°C to -50...200°C
- Easy on-site configuration
- Analog output: 0(4)...20 mA, 0...10 V
- Contact output: DC PNP, max. 200 mA



Digital contact thermometer TM 63

Technical Data:

Range:	0...50°C bis -50...200°C
Analog output:	0(4)...20 mA, 0...10 V
Contact output:	DC PNP, max. 200 mA
Accuracy:	$\leq \pm 0.3\% \text{ FS @ } 25^\circ\text{C} + 0,3^\circ\text{C} + 0.005^\circ\text{C} \times t \text{ (Pt1000 Kl. B)}$
Response time:	200 ms
Power supply:	10...30V DC, 20 mA Ausgang 16...30V DC, 10 V Ausgang
Ambient temperature:	-25...80 °C
Process temperature:	-20...200 °C
Temperature coefficient:	$\leq \pm 0.02\% \text{ FS/K}$
Long term stability:	$\leq \pm 0.2\% \text{ FS p. a.}$
Bayonet lock case:	1.4301 (304) IP 67
Process connection:	G 1/2", 1.4404 (316L)
Electrical connection:	M8x1 4-pin connector

Nöding

Meßtechnik

Ranges

ranges	Code
0...50 °C	1
0...60 °C	2
0...80 °C	3
0...100 °C	4
0...120 °C	5
0...150 °C	6
0...160 °C	7
0...200 °C	8
-20...50 °C	A
-20...60 °C	B
-20...80 °C	C
-20...100 °C	D
-20...120 °C	E
-20...150 °C	F
-20...160 °C	G
-20...200 °C	H
0.0...50.0 °C	J
0.0...60.0 °C	K
0.0...80.0 °C	L
0.0...100.0 °C	M
-20.0...50.0 °C	N
-20.0...60.0 °C	O
-20.0...80.0 °C	P
-20.0...100.0 °C	Q

Other ranges on request

Ordering code

Type

- A Axial, connection back
- W Bottom connection

Analog output

- 1 0...10 V 3-wire
- 2 0...20 mA 3-wire
- 3 4...20 mA 3-wire (signal range 3.8...20.5 mA)

Contact output

- 1 1 Contact

Range

- Measurement range see table
- 9 others on request

Process connection and material

- 3 G1/2" male swivel nut 1.4404
- G G1/2" union nut 1.4404

Sensor Length

- 05 50 mm
- 10 100 mm others
- 16 160 mm on request
- 25 250 mm

Accuracy class

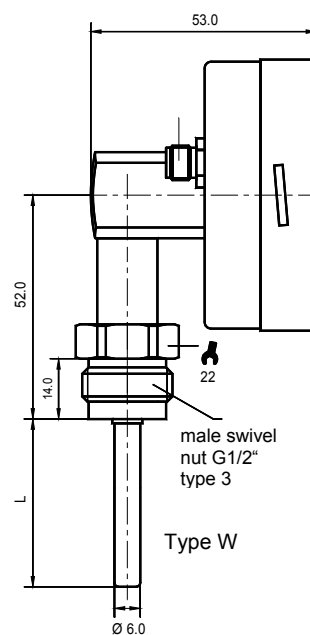
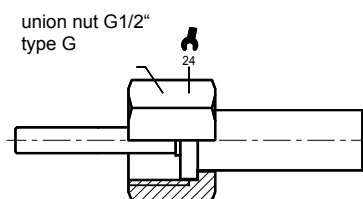
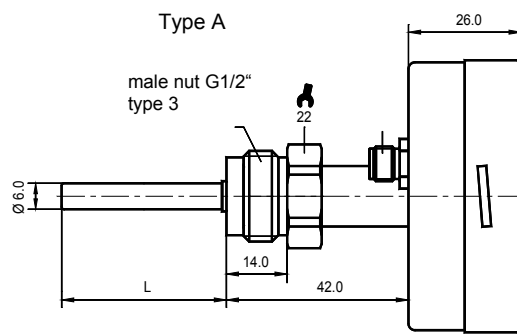
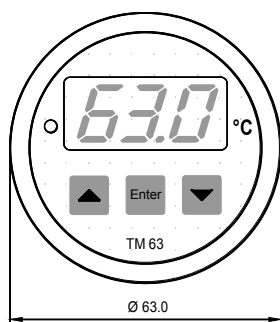
- 0 Pt 1000 Cl. B (Standard)
- 1 Pt 1000 Cl. A

Options

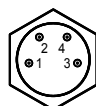
- 0 without
- 1 connector M12x1, 4-pin IP67

TM63 - - - - -

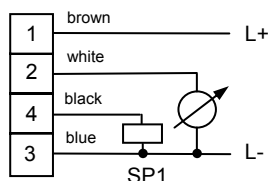
Dimension (mm)



Electrical connections

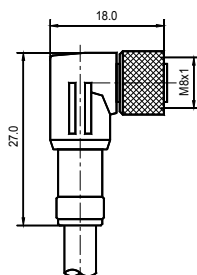


Connector M8x1 4-polig

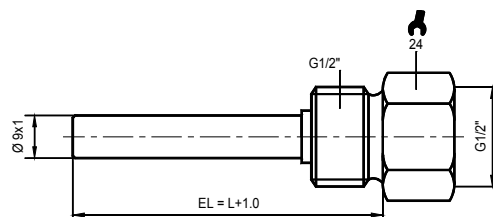


Accessories (optional)

Elbow-Connector M8x1, 4-polig
with 2m PVC Cable; Typ: AKW-8-4-2P



Thermowell SH-1-05 L = 50 mm
SH-1-10 L = 100 mm
SH-1-16 L = 160 mm
SH-1-25 L = 250 mm



Modifications reserved without notice 07.11