

- Loop powered plug-in display
- 4-digit, red LED-display
- No auxiliary energy source needed
- Scale freely adjustable "on site"
- Display 330° rotatable
- Connector 300° rotatable
- Suitable for any 4...20 mA transmitter with EN 175301-803A connector



Digital Display DA 46

Technical data:

Input signal:	4...20 mA, 2-wire
Polarity:	reverse polarity protection
Voltage drop:	approx. 6V
Accuracy:	0.2%
Display:	7 mm high LED-display
Display range:	-1999 to +9999
Decimal point:	any position
Scale:	freely adjustable via 2 buttons
Sampling rate:	0.0...10 / sec. adjustable
Filter:	3 positions adjustable (damping)
Limit display:	above/below permissible range/ not permissible
Electrical connection:	plug EN 175301-803A IP 65
Housing:	47 x 47 x 68 (w x d x h) ABS, PA6.6 Polycarbonate
Ambient temperature:	0...50°C
Temperature coeff.:	0.01%/K

Nöding

Meßtechnik

Description

The plug display DA46 is connected between the sensor and the connector. It works with every 4...20mA, 2-wire device. One connected it is ready to use.

The configuration is menu driven.
You can change the following values:
Decimal point, zero point, endpoint, roll-off, reading rate.

All values will be stored in a non-volatile EEPROM
In the case of a power failure the values will not be altered.

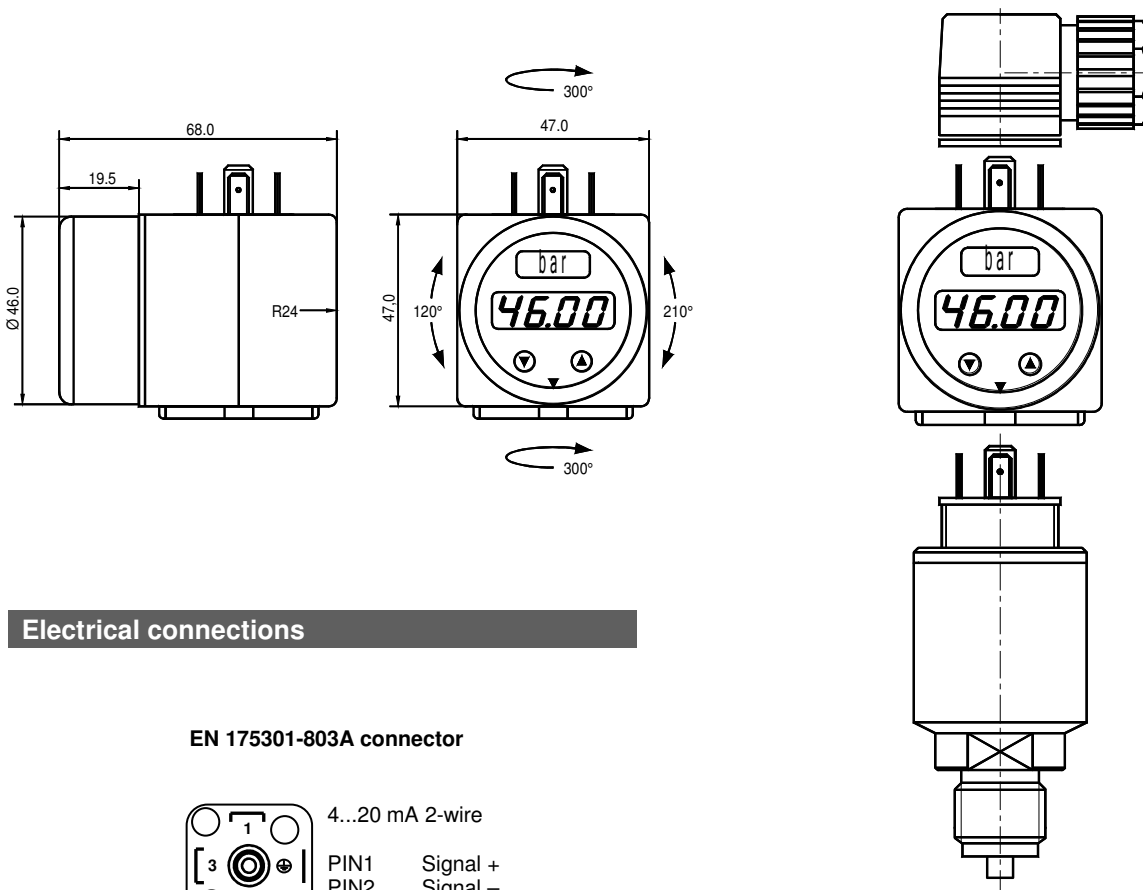
Range excess in both direction can be monitored and
An access protection can be activated.

Ordering code

DA46-40-11
DA46-40-11-Ex

Output signal
4...20 mA 2-wire
Electrical connection both sides
EN175301-803A connector

Dimensions (mm)



Modifications reserved without notice, 04.16