

- 25 mm housing for DIN rail
- Pt 100 input, 3-wire
- Supply voltage 18...30V DC
- Output 0(4)...20 mA / 0...10 V switchable



Temperature transmitter EMW 63.4

Technical data:

Input signal:	Pt 100, 3-wire
Output signal:	0(4)...20 mA, max. 500 Ω 0...10 V, max. 5 mA, switchable
Short-circuit current	< 30 mA
Accuracy	≤ ± 0,3% FS @ 25°C
Residual ripple:	< 50 mVpp
Power supply:	18...30V DC, max. 50 mA
Ambient temperature:	0...60 °C
Temperature coeff.:	≤ ± 0,02% FS/K
Housing:	Polyamide 6.6

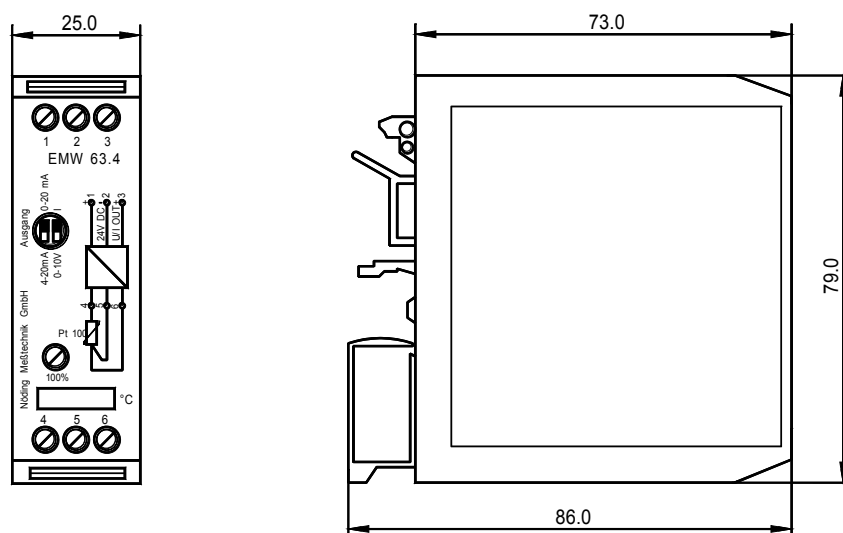
Nöding

Meßtechnik

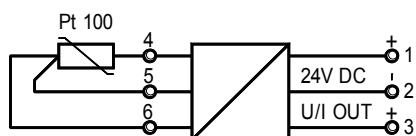
Ordering code

ordering code	range
EMW 63.4/0/50	0...50 °C
EMW 63.4/0/100	0...100 °C
EMW 63.4/0/150	0...150 °C
EMW 63.4/0/200	0...200 °C
EMW 63.4/0/250	0...250 °C
EMW 63.4/0/300	0...300 °C
EMW 63.4/0/400	0...400 °C
EMW 63.4/40/140	40...140 °C

Dimensions



Electrical connections



Modifications reserved without notice, 02.10