

- Enclosure for DIN rail
- Input 0(4)...20 mA / 0...10 V switchable
- Output 0(4)...20 mA / 0...10 V switchable
- Both outputs can be used simultaneously
- 18 V-output for supply of 2-wire transducers



Loop isolation amplifier ET 31

Technical data:

Input:	0(4)...20 mA, $R_i = 50 \Omega$, 0...10 V, $R_i = 110 \text{ k}\Omega$
Output:	0(4)...20, max. 500Ω , 0...10 V, max. 5 mA, both outputs can be used simultaneously
Short-circuit current:	< 30 mA
Accuracy:	$\leq \pm 0,3\% \text{ FS @ } 25^\circ\text{C}$
Power supply:	230 V AC, 115 V AC or 24 V AC/DC
Residual ripple:	< 100 mVpp
Ambient temperature:	0...60 °C
Temperature coeff.:	$\leq \pm 0,02\% \text{ FS/K}$
Enclosure:	Polyamide 6.6
Protection class:	IP40, terminals IP20

Nöding

Meßtechnik

Ordering code

Isolation amplifier

ET 31.

Supply voltage

230V	AC	1
115V	AC	2
24V	AC/DC	5

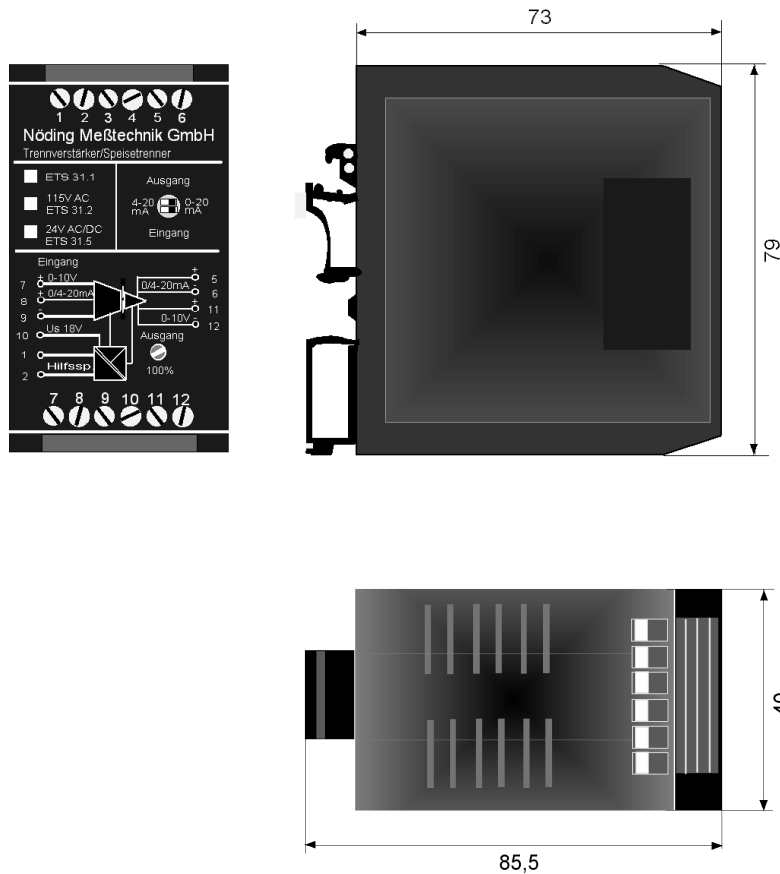
Loop isolation amplifier

ETS 31.

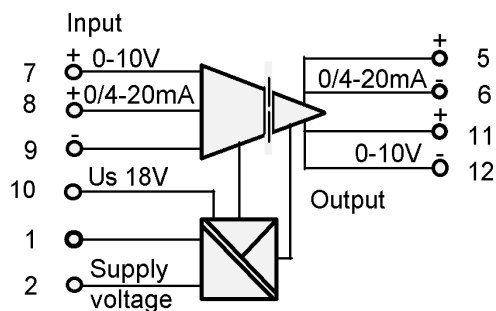
Supply voltage

230V	AC	1
115V	AC	2
24V	AC/DC	5

Dimensions



Electrical connections



Note: Terminal 6 and 12 have different potentials and may not be connected.

Modifications reserved without notice, 02.10