

- Level switch for conductive liquids
- Process temperature -40...150 °C
- Electrode can be shortened
- Rugged and maintenance free
- Easy montage and setup



Conductive level switch FS 1

Technical Data:

Function:	min / max signal by polarity of power supply
Output:	DC PNP, max. 30 mA, short circuit proof
Sensitivity:	2.5 kΩ, 10 kΩ, 50 kΩ
Response time:	approx 1 s
Supply voltage:	10...30V DC, max. 50 mA, without switching power
Electrode voltage:	ca. 2V AC
Ambient temperature:	-25...80 °C
Process temperature:	-40...150 °C
Process connection:	G 1/2" 1.4404 (316L)
Isolation:	PTFE
Housing:	POM
Protection class:	IP 67
Electrical connection:	Terminal clamps Cable gland M12x1,5
Process pressure:	-1...60 bar

Ordering code

Process connection and material

- 1 G1/2", 1.4404
- 9 other (on request)

Isolation

- 2 PTFE

Material Elektrode

- 0 Stainless steel 1.4404

Housing

- 0 POM
- 9 other (on request)

Sensor length mm

- 030 30 mm
- other (on request)

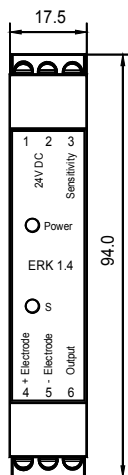
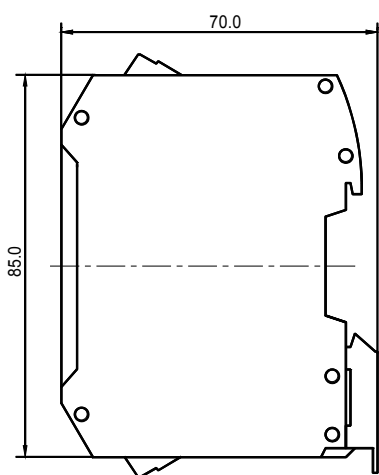
Options

- 0 without

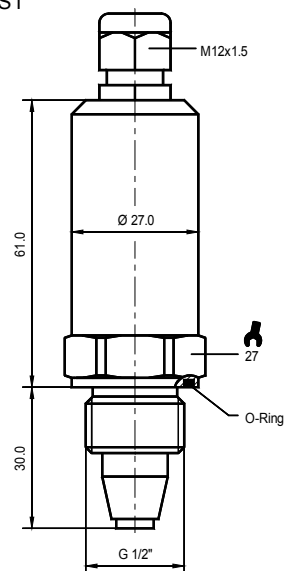
FS1 - [] - [] - []

Dimensions (mm)

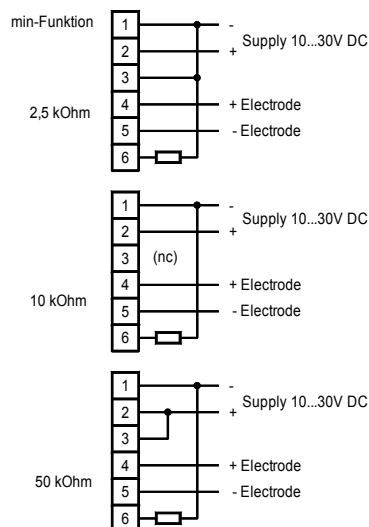
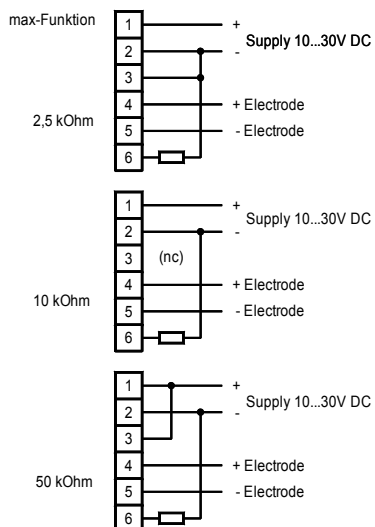
Controller ERK1.4-1



Electrode FS1



Electrical connections



Technische Änderungen vorbehalten 11.11