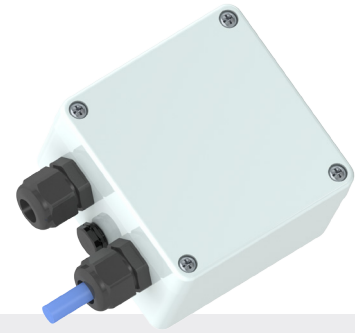


KG1

Nöding

Messtechnik



Datasheet Junction box KG1

PERFORMANCE FEATURES

- Pressure equalization under protection class IP67 with GORE-TEX® filter
- Allows extension of the transmitter cable
- Integrated terminal strip
- M16x1,5 cable glands
- Optional with connector M12 (male)

A fine air capillary runs through the entire cable of an level transmitter, this ensures pressure compensation and forms the basis of every relative pressure measurement. If the pressure can no longer be equalized because the filter at the end of the cable is clogged, the measured values will be incorrect. The KG1 terminal housing offers the best possible protection against external influences. The strands of the probe are placed and can be continued as required. The pressure equalization now takes place through a GORE-TEX® filter with protection class IP 67.

TECHNICAL DATA

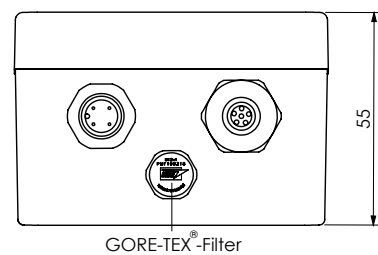
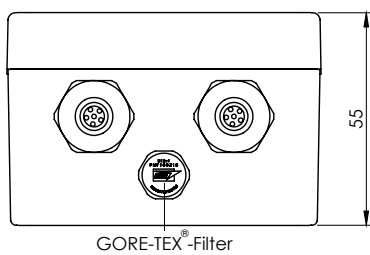
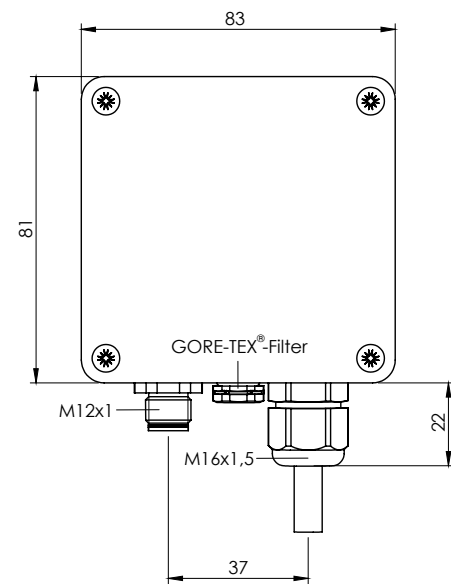
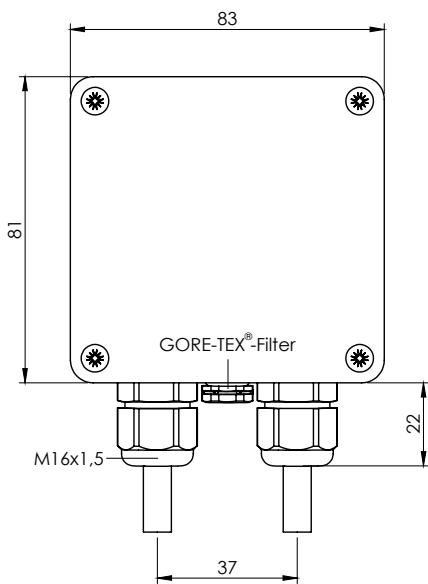
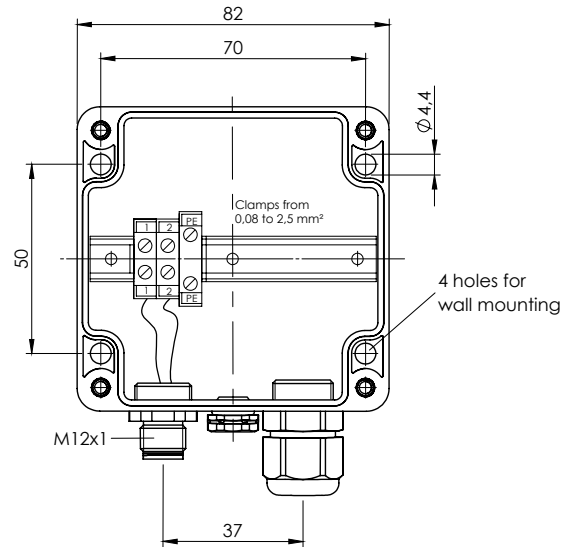
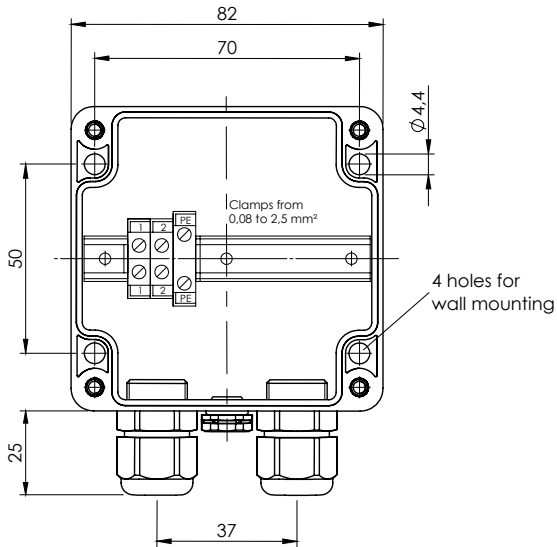
General	
Housing	ABS grey RAL 7035
	80x82x55 mm
Cable gland	2xM16x1,5
Filter	GORE-TEX
terminal slots	3
DIN rail	TS 15
Protection class	IP 67
Weight	160 g

KG1 Datasheet Junction Box

VERSION

■ **KG 1**

■ **KG 1-M12**



09/2021 A - Modifications reserved without notice