

MTL 7787+

Nöding

Messtechnik



Datasheet ATEX Safety Barrier

PERFORMANCE FEATURES

- Automatic grounding via DIN rail
- Space-saving design 12,6mm housing
- Clip-on terminals
- Electronic fuses
- Certified according to global standards
- Short-circuit proof

TECHNICAL DATA

General

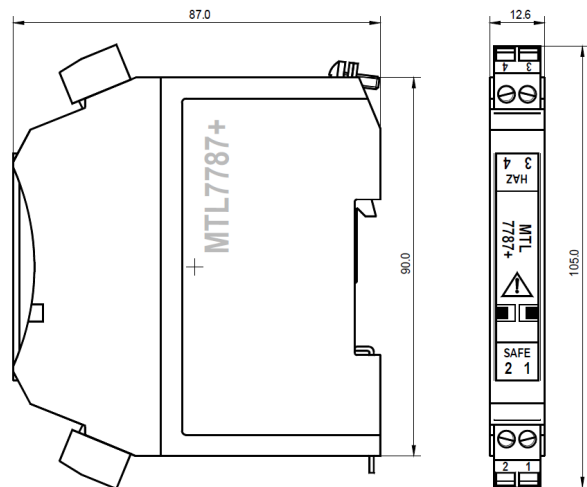
Supply voltage	26V DC
Inner resistance	$R_{max} 333 \Omega + 1,2 V$
Ambient temperature	-20...60 °C
Storage temperature	-40...80 °C
Installation	35 mm DIN rail
Weight	160 g

Safety related data

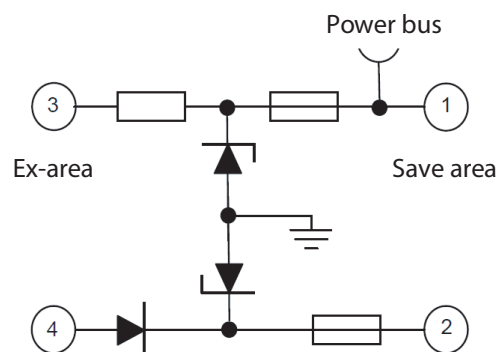
Max. voltage	$U_o \leq 28 V$
Max. current	$I_o \leq 93 mA$
Max. electrical power	$P_o \leq 650 mW$
Max. capacity	$C_o \leq 83 nF$
Max. inductance	$L_o \leq 3,05 mH$

The safety barrier with shunt diode conducts electrical signals, but limits the energy transferred to a value at which an explosive atmosphere cannot be ignited. With the application's signal lines connected in series, the barrier protects the cables and devices installed in the Ex area against errors occurring in the safe area.

DIMENSIONS



ELECTRICAL CONNECTION



08/2021 A - Modifications reserved without notice