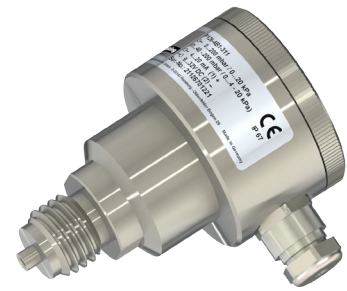


# P126

**Nöding**

Messtechnik



## Datasheet Pressure Transmitter P126

### PERFORMANCE FEATURES

- Dry capacitive ceramic sensor
- Adjustable range (Turndown) 5:1
- Smallest measuring range: 0...10 mbar
- Largest measuring range: 0...60 bar
- Negative pressure measuring range: up to -1 bar
- Accuracy  $\leq 0,2\%$
- High overload capability
- Compact and rugged design
- Analog output: 4...20 mA, 2-wires

### AREAS OF APPLICATION

- Aggressive media
- Liquid media
- Abrasive media
- Gaseous media
- Level measurement in tanks

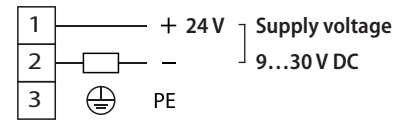
The P126 model is characterized by its on-site adjustment capability. The measuring range can be fine-tuned subsequently and the cable is connected directly to the integrated clamps. Teach-in of filling levels is therefore quick and uncomplicated to perform. The ceramic sensor element is resistant to aggressive and abrasive media. The capacitive measuring principle enables a very accurate and long-term stable measurement even at lowest pressures and high overload resistance. Its housing is made of high-quality stainless steel 1.4404 and is therefore suitable for almost all media. Our modular design concept provides a wide variety of products. Feel free to contact us if you need a customization that is not listed in this datasheet.

## TECHNICAL DATA

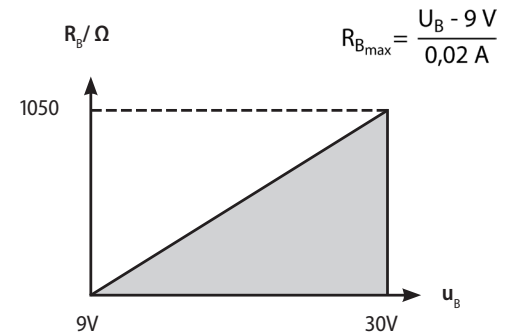
Measuring range	
Pressure range	See table "Measuring ranges" others on request
Ausgang	
Analog	4...20 mA 2-wires
Power supply	
20 mA output	9...30 V DC
Signal characteristics	
Accuracy	$\leq \pm 0,2 \% \text{ FS @ } 25^\circ\text{C}$
Long term stability	$\leq \pm 0,15 \% \text{ FS/Year}$
Response time	200 ms - others on request
Switch-on time	< 1 s
Temperature coefficient	
Zero	$\leq \pm 0,015 \% \text{ FS/Kelvin}$
Span	$\leq \pm 0,01 \% \text{ FS/Kelvin}$
Temperature ranges	
Medium temperature	-40...100 °C (125 °C < 0,5 h)
Surrounding temperature	-25...80 °C
Storage temperature	-40...85 °C
Electrical protections	
Short-circuit resistance	Permanent
Reverse polarity protection	Protection against reverse polarity
Electromagnetic compatibility	Interference emissions and immunity acc. to EN 61326
Wetted materials	
Process connection	Stainless steel 1.4404
Sensor	Ceramic Al <sub>2</sub> O <sub>3</sub>
Sensor seal	FPM (Viton), NBR, EPDM, FFKM (Chemraz / Kalrez)
Surroundings	
Protection type	IP 65
Exemplary weight	
P126-400-311 (figure p. 1)	Approx. 260 g

## ELECTRICAL CONNECTION

4...20 mA, 2-wires

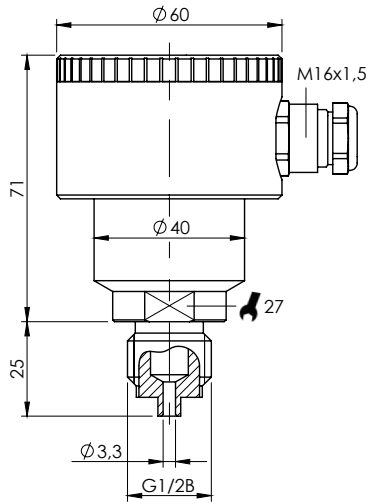


## LOAD

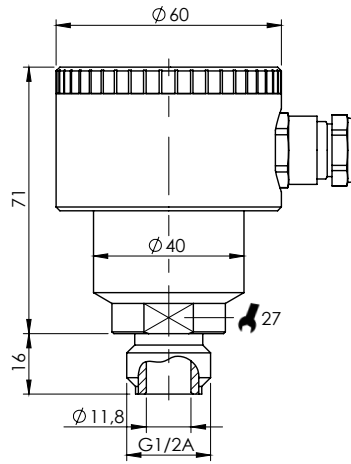




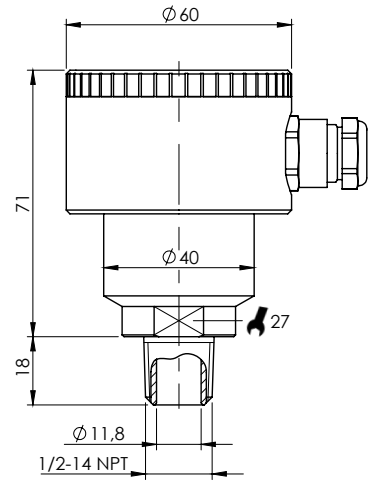
**DIMENSIONS**



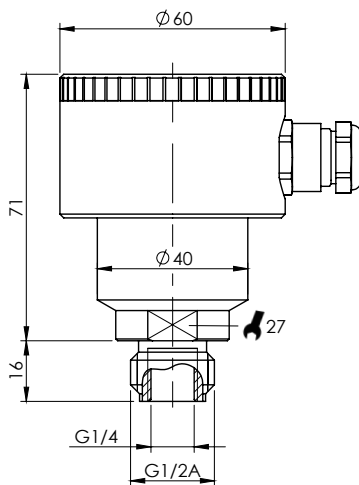
PROCESS CONNECTION ■ TYPE 3



■ TYPE G



■ TYPE 2



PROCESS CONNECTION ■ TYPE 4